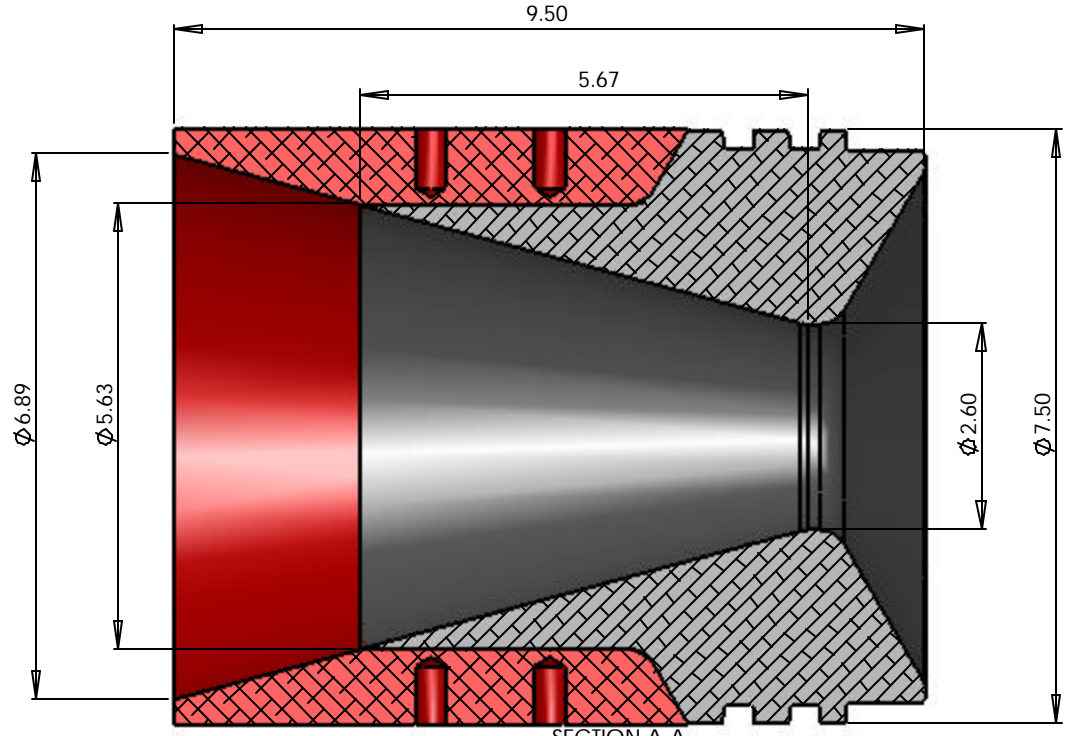


8 7 6 5 4 3 2 1

ZONE	REV.	DCO	REVISIONS	DATE	BY	APPR.

NOTES:

- 1. REMOVE ALL BURRS AND SHARP EDGES.
- 2 MATERIAL:
- 3 FINISH:



SECTION A-A
SCALE 2 : 3

THIS DOCUMENT OR DRAWING AND THE INFORMATION CONTAINED HEREIN IS THE PROPERTY OF ARC MACHINES, INC., IS PROPRIETARY, IS SUBMITTED AND RECEIVED IN CONFIDENCE, SHALL BE USED ONLY FOR THE PURPOSE FOR WHICH IT IS SUBMITTED AND SHALL NOT BE COPIED IN WHOLE OR IN PART WITHOUT THE PRIOR EXPRESS WRITTEN PERMISSION OF WEDGE OLDHAM

UNLESS OTHERWISE SPECIFIED DIMENSIONS ARE IN INCHES TOLERANCES ARE: FRACTIONS DECIMALS ANGLES ±1/16 .X ±.030 ±0°30' .XX ±.010 .XXX ±.005		THIRD ANGLE PROJECTION 	FOR APPLIED STANDARDS SEE DOD-STD-100	NIKE PROJECT	
ALL MACHINED SURFACES TO BE: <input checked="" type="checkbox"/>		APPROVALS	DATE	DESCRIPTION NOZZLE AND CARRIER, OPTION B	
MATERIAL:		DRAWN: W. OLDHAM	XX/XX/XX	SIZE	MODEL NO.
NEXT ASSY USED ON		CHECKED: X, XXXXX	XX/XX/XX	B	XX
APPLICATION		APPR:		DWG. NO.	XXXXXXXXX
		CAD FILE:		REV.	X
				SCALE	DO NOT SCALE DRAWING
				SHEET 1 OF 1	

8 7 6 5 4 3 2 1